



LET A NIGHT AT A HOTEL REMAIN AN UNFORGETTABLE PLEASURE

- *Schlarafia manufactures mattresses and sleep equipment in an artisanal way that combines tradition and implementation of modern knowledge using modern materials.
Our company has been supplying hotels with sleep equipment for more than 20 years.*

- SCHLARAFIA has developed a detailed offer of hotel bedding with a wide range of features - we offer beddings from our existing assortment that has already been used in some of the leading hotels, or ones specially adapted to meet customer requirements according to standards and financial frameworks.
- SCHLARAFIA , during the creation of each product, hires consultants in the fields of physical medicine and orthopedics in order to meet the health criteria of its usability. We also use certified materials, and the SCHLARAFIA PATENTED HANDMADE SPRING MATTRESS CORE, for which we own TRADEMARK, is a curiosity.

SCHLARAFIA – A RELIABLE MANUFACTURER with decades of experience.

ASSORTMENT

• Product offer made of a variety of materials that meet the customers' specific requirements, whether oriented towards simple or enriched luxury components.

• **MATTRESSES:** The mattress should meet some basic criteria, and those are, in addition to comfort, wear resistance and durability, ensuring good ventilation and easy maintenance, as well as fulfilling the specific requirements of different tastes of the sleepers - in other words, to suit every guest.

• **TOPPERS AND PROTECTORS:** We can produce removable protectors with different cover layers for mattresses of all sizes and heights, enriched with superior air permeable materials which are to be maintained according to standards set by hygiene protocols.

• **PILLOWS:** Pillows are made according to the standards of the purchaser in terms of dimensions, fillings, shape and height. They can be with a fixed capacity, as well as adapted to the wishes of the sleeper, making it a flexible product. Whereas filled with synthetics (silicone fibers, microfibers, shredded memory) or finest feathers/down - our pillows are packed in a high quality inlet case that provides the highest levels of hygiene with adequate ventilation.

• **DUVETS AND COVERS:** A complete hotel program of covers with various fillings (silicone fibers, microfiber, finest feather / down), offering a wide range of lightness, warmth and airiness. We also adapt the dimensions to the size of your beds, from cribs to extended covers for extremely tall guests.

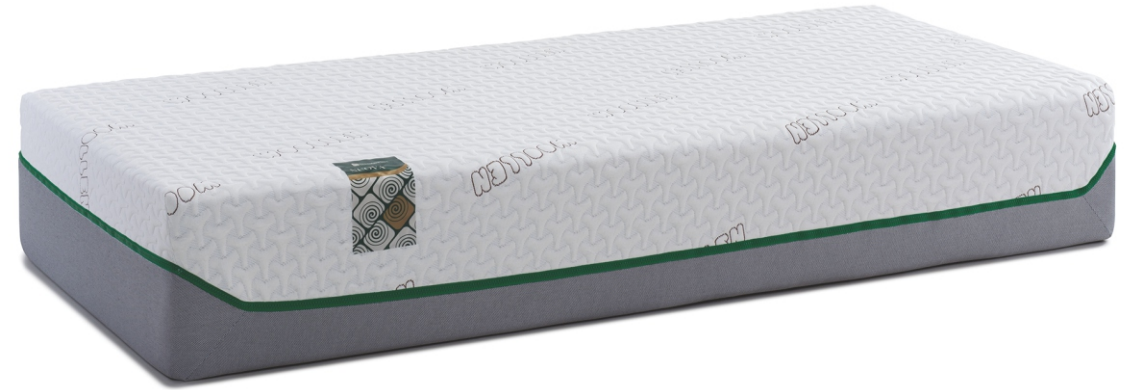
• **BEDS:** Specially designed upholstered or solid wood beds, which can be styled to decorate any hotel room. We offer consultation with our architects, who have decades of experience in designing and equipping hotels around the world.

• **ACCESSORIES:** All accessories in form of inserters for double beds between single mattresses, extensions for extremely tall sleepers, the whole "pillow menu" concept, mattresses for babies and small children, as well as all standard and non-standard dimensions and shapes of mattresses created for specific individual requirements are available. uelle Anforderungen entwickelt wurden, sind erhältlich.



Why is Schlarafia so special?

MATTRESSES



- Thanks to the experience we have gained for more than 80 years, today we have an unrivaled knowledge of the features that contribute to the TOP PERFORMANCE of each of our mattresses.
- In addition to using selected materials from reliable sources, we pay special attention to the quality of the workmanship. More than 90% of our mattress assortment is hand-made, including the knitting of the core, which gives it special durability and orthopedic features..
- A quality mattress is determined by the quality of the 3 MAIN layers, making the so-called 3C SYSTEM – CORE, COMFORT, COVER, where each element has a separate purpose but also complements the properties of the other layers.
- Schlarafia developed each of these layers with particular care, using the acquired technical and technological knowledge, consulting physicians in the field of orthopedics, physical medicine and allergology.
- By dissecting the mattress to elements, where each layer achieves its purpose by complementing the properties of the other layers, we have conceptualized over 13 models of superior performance mattresses that have found a quality endorsement both among citizens and within the hotel sector.

Why is Schlarafia so special?

MATTRESSES

ELEMENT CCC triad	EXAMPLE KEY	PURPOSE OF USE	DESIRABLE FEATURES
CORE	<ol style="list-style-type: none"> 1. Superior patented Schlarafia handmade core 2. High resilience foams (foam mattresses) 3. Machine pocket core 4. Machine Bonel core* 	<ul style="list-style-type: none"> - Spine support (1) - An important factor for the durability of a mattress (1) - Good flexibility for different types of sleepers (1,3) 	<ul style="list-style-type: none"> - Top orthopedic performance (1) - High level of air permeability (1,3,4) - Invariability of orthopedic properties over a long period of exploitation (1) - Easy to manipulate and turn (2)
COMFORT	<ul style="list-style-type: none"> - A COMBINATION OF HIGH PERFORMANCE FOAMS AND INDEX IN COMFORT GRADIENT (Schlarafia formula) - HIGH INDEX MONOFOAM LAYER - MONOFOAM LAYER made of low-grade foams* 	<ul style="list-style-type: none"> - Comfort holder (1,2) - Key element of aeration/ open cell technology (1,2) - Holder of comfort longevity (1,2) 	<ul style="list-style-type: none"> - High capacity foam index closer to CORE zone (1) - High level of elasticity closer to surface zones (1) - Individual fine-tuning of the softness in the primary layer (1) - Good aeration and hygiene maintenance (1,2) - Consistent comfort properties during long exploitation (1,2)
COVER	<p>REMOVABLE STRETCH COVERS ENRICHED WITH SUPERIOR NATURAL AND INNOVATIVE FIBERS (cashmere, silk, camel hair, cotton, Celliant®, Tencell®)</p> <ul style="list-style-type: none"> - REMOVABLE STRETCH COVERS THICK-WOVEN - FIXED AND REMOVABLE COVERS OF LOWER-WOVEN DENSITY* 	<ul style="list-style-type: none"> - Mattress, as well as sleeper protection (1,2,3) - Hygiene barrier between the body and the inside of the mattress (1,2,3) - Washable part of the mattress (1,2) 	<ul style="list-style-type: none"> - Easy to remove and put on (1,2) - Aeration of all lower layers (1,2) - Physical barrier for dust and mites in lower layers (1,2,3) - Supports elasticity of comfort layer (1,2) - Capillary drainage of excess fluid from the body of the sleeper (1,2) - Sensation of comfort in contact with body (1,2)

*beneath the standard recommended by Schlarafia

Why is Schlarafia so special?

Service



No matter what type of accommodation it is about, be it a prestigious hotel chain or a small guesthouse – we offer uncompromising quality within different price ranges.

- We are willing to make our long-acquired knowledge available to you in form of tips and recommendations in order to work together towards the best solution.
- High flexibility in meeting deadlines as well as prompt response to requests, regardless of order volume.
- Reliable after-sales service as a basis for a lasting cooperation.
- We produce the entire assortment in any dimension desired, even in any form. There are practically no obstacles neither in composition nor in external measures, including a baby mattress program for fixed and portable beds, which are easy to maintain and manipulate.

Why is Schlarafia so special?

STANDARDS AND CERTIFICATES

CERTIFICATES

ON NON-FLAMMABILITY:

- FOAM: BS 5852

ON NON FLAMMABILITY:

- FABRIC: BS 7177/1996

ECOLOGICAL STANDARDS FOR FOAM

- OEKO-TEX standard 100

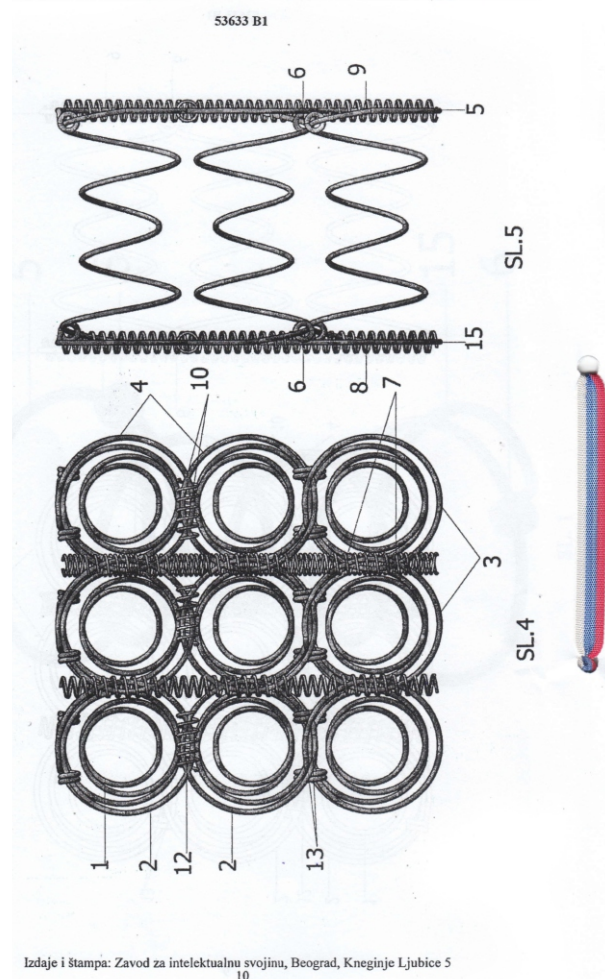
ISO STANDARDS:

- ISO 9001:2015
- ISO 14001:2015

Patent grant Certificate

“Wire spring core and manufacturing process”

No. 53633



Why is Schlarafia so special?

ASK THOSE WHO COOPERATE WITH US: THEY KNOW



Hotel Caspian Riviere – Aktau, Kazakhstan
Hotel Pullman – Sochi, Russia
Hotel Mercure – Sochi, Russia
Hotel H – Podgorica, Montenegro
Iberostar Jadran – Perast, Montenegro
Iberostar Riviera – Njivice, Montenegro
Iberostar Bellevue – Bečići, Montenegro
Hotel Tara – Bečići, Montenegro
Hotel In – Berane, Montenegro
Hotel Zira – Belgrade
Hotel Hyatt Regency – Belgrade
Hotel Prag – Belgrade
Hotel Majestic – Belgrade
Hotel Constantine the great – Belgrade
JAT hotels Slavija & Slavija Lux – Belgrade
Best Western hotels – Belgrade
Hotel Le petit pif – Belgrade
Hotel Majdan – Belgrade
Hotel Natalija Residence - Belgrade
Hotel Constantine the great – Belgrade
MK Mountain Resort, Hotel Grand – Kopaonik
MK Mountain Resort, Apartmani Konaci De Lux - Kopaonik
Hotel Srebrna lisica – Kopaonik
Planinarski dom Rtanj – Kopaonik
Hotel Danube Park – Srebno jezero
Hotel Moravica – Soko Banja
Hotel Mečavnik – Drvengrad – Mokra Gora



CONTACT US

Sonja Kapetanovic
Sales & marketing director
www.schlarafia.co.rs/b2b

